

# MAC FAUCETS

The World's Finest Selection of Designer & Commercial Automatic Faucets!

## **Autoluxe™ Model: FA400-124**

*Wall Mounted Automatic Faucet*



**Autoluxe Faucets Are Available In Twenty Finishes**

### Featuring:

- Brass Faucet.
- Solid Brass Valving System.
- Water Safe Control Electronics.
- Battery Powered, (4 Standard AA Batteries).
- Water Flow Adjustment Capability.
- Available in Twenty (20) Custom Finishes.
- ADA Compliant.

### Package Includes

Faucet

FA400 Automator

Single Water Source  
Fitting

Back Flow Preventers

Stainless Steel Hose

Mounting Hardware

Batteries Pre-installed

All the hardware necessary  
for satisfactory installation

(Optional)  
Mixing Valve, Factory  
Preset 50/50

Please Note: Faucet  
Sold Without Drain

ANSI A112.18.1M

CSA Standard B125,  
2.2 U.S. GPM

Complies with NSF  
Standard 61, Section 9

The model FA400-124 is one of three **wall mounted hands free faucets** available from MAC.

This faucet is ideal for bathroom applications where a wall mounted automatic faucet is an indispensable component of the room's overall design element. However, don't let the good looks fool you. The model FA400-124 is a heavy duty faucet that is designed for heavy traffic applications. It features the Faucet Automator model FA400. Manufactured to last, the FA400 employs the latest in plug and play digital electronics, and is equipped with a solid brass solenoid valve with integral filter and water flow adjustment. The faucet is shipped complete and is packaged for ease of installation.

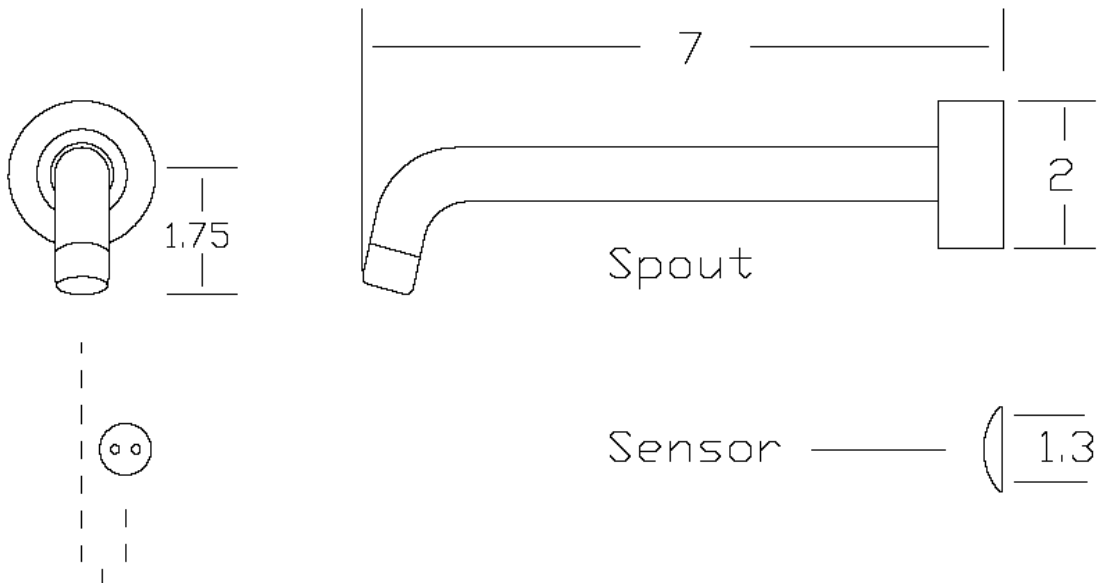
## SPECIFICATIONS AND DIMENSIONS

MODEL:	<b>FA400-124</b>
SPOUT:	SOLID BRASS
POWER:	4 (AA) BATTERIES / AC ADAPTER OPTIONAL
BATTERY LIFE EXPECTANCY:	300,000 CYCLES
SOLENOID VALVE:	6 VOLT MAGNET LATCHING.
WORKING WATER PRESSURE:	1 PSI -100 PSI
SUPPLY INLET SIZE:	1/2" NPT MALE
WATER TEMPERATURE CONTROL:	OPTIONAL
POP-UP DRAIN KNOB:	<b>NONE</b>
SENSOR TYPE AND LOCATION:	ACTIVE INFRARED, WALL MOUNT
SENSOR MICROPROCESSOR:	DIGITAL, PUG AND PLAY
SENSING RANGE:	2" TO 12" ADJUSTABLE
RESPONSE TIME:	0.3 SECOND
SHUT-OFF DELAY TIME:	2 SECONDS
MAXIMUM RUNNING TIME:	60 SECONDS
PARTICLE FILTER SIZE:	50 MESH
AERATOR:	2.2 GPM STANDARD, OPTIONS AVAILABLE

### Optional Equipment:

- Lavatory Drain, Grid and Pop-Up Type.      • Wall Plates for 4" and 8" hole configuration.
- Adjustable Under The Sink Mixing.      • AC Adapters.

**All Dimensions are approximate and in Inches**



Sensor may be offset by 1" to the left or right of spout.  
Offset not mandatory.