

# MAC FAUCETS

The Leader in Decorative Automatic Faucets Worldwide

## *Industry Standard™* Faucet Line



**Model: FA444HD-17**

### **Featuring:**

- **Solid Brass Faucet.**
- **Solid Brass Operating Valve.**
- **Resin Encased Control Electronics.**
- **Battery powered, 4 standard AA batteries.**
- **Visible Low Battery Indicator.**

### Package Includes

*Faucet*

*FA444HD Automator*

**Please Note: Faucet  
Sold Without Drain**

*Stainless Steel Hose*

*Mounting Hardware*

*Batteries Pre-installed*

*All the hardware necessary for  
satisfactory installation*

ANSI A112.18.1M

CSA Standard B125, 2.2  
U.S. GPM

Complies with NSF  
Standard 61, Section 9



The model 17 is ideal for *Residential, Commercial, and Industrial applications*. Although the model 17 is in fact **ONE OF THE BEST PRICED** electronic faucets available on the market today, this unique faucet is rated **HEAVY DUTY** and features the Faucet Automator model FA444HD. Manufactured to last, the FA444HD employs plug and play digital electronics, and hermetically sealed sensor capsule with visible low battery indicator. It also employs one of the most reliable **SOLID BRASS** solenoid valves in the industry.

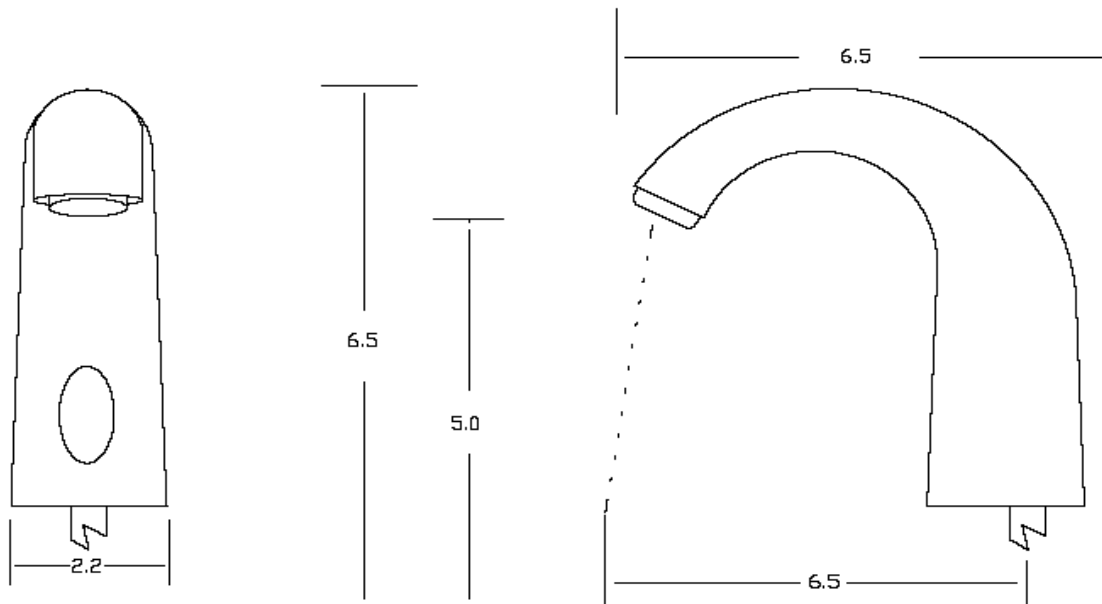
## SPECIFICATIONS AND DIMENSIONS

MODEL:	<b>FA444HD-17</b>
SPOUT:	CHROME PLATED SOLID BRASS
POWER:	4 (AA) BATTERIES OR AC ADAPTER
BATTERY LIFE EXPECTANCY:	300,000 CYCLES
SOLENOID VALVE:	6 VOLT MAGNET LATCHING
WORKING WATER PRESSURE:	1 PSI -100 PSI
SUPPLY INLET SIZE:	1/2" NPT MALE
WATER TEMPERATURE CONTROL:	NONE
POP-UP DRAIN ROD:	NONE
SENSOR TYPE AND LOCATION:	ACTIVE INFRARED, NECK MOUNT
SENSOR MICROPROCESSOR:	DIGITAL, PUG AND PLAY
SENSING RANGE:	2" TO 6"
RESPONSE TIME:	0.6 SECOND
SHUT-OFF DELAY TIME:	2 SECOND
MAXIMUM RUNNING TIME:	60 SECONDS
PARTICLE FILTER SIZE:	50 MESH
AERATOR:	1.5 GPM. OPTIONAL 1.0 GPM, 0.5 GPM

### Optional Equipment:

- Lavatory Drain, Grid and Pop-Up Type.
- Deck Plate for 4" and 8" Center Sinks.
- Adjustable Under the Sink Mixing Valve.
- Matching Above The Sink Water Mixing Valve.
- Matching Soap Dispenser.
- Matching Hole Cap Cover.
- Matching Off-Body Pop-Up Lift.
- AC Adapters.

**All Dimensions in Inches**



**MAC FAUCETS**

www.macfaucets.com Tel 866 558 3200 Fax 310 919 3073 Email Info@macfaucets.com